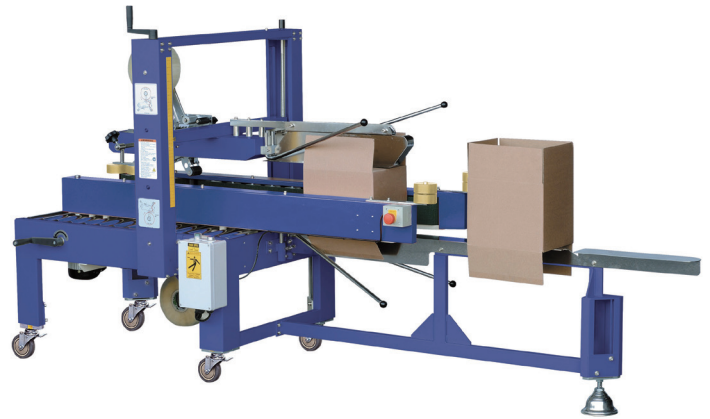


# → UNIFORM CARTON SEALER

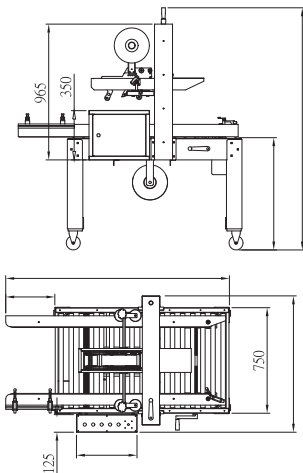
**CHS-6601HB**



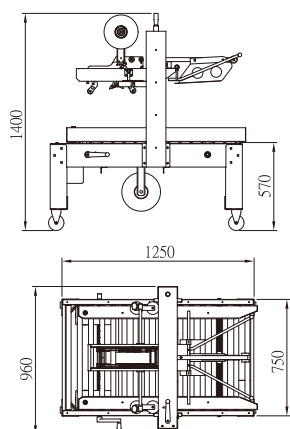
**CHS-6601T**



**CHS-6601HB**



**CHS-6601T**



## CHS-6601HB SIDE BELT CARTON SEALER

### CHS-6601HB FEATURES

- Adjusted manually for uniform or different box sizes
- PLC program control
- Ideal for combination with auto strapping machine
- Sensors for strapping process
- Brake motors
- Top squeezers push top flaps together for accurate case sealing
- Dual mast for tape head stability
- Stainless steel roller table

### CHS-6601HB TAPING SPECIFICATION

CHS-6601HB FEATURES	CHS-6601HB TAPING SPECIFICATION	
Adjusted manually for uniform or different box sizes	Sealer Type	Side belt carton sealer
PLC program control	Power Supply	1 phase, 110V/220V, 50/60HZ
Ideal for combination with auto strapping machine	2" Tape Sealing Size	L150 - 1000mm, W110 - 500mm, H150 - 600mm
Sensors for strapping process	3" Tape Sealing Size	150 - 1000mm, W135 - 500mm, H150 - 600mm
Brake motors	Tape Overlap	L60±5 (mm) standard
Top squeezers push top flaps together for accurate case sealing	Working Table Height	570-770mm
Dual mast for tape head stability	Belt Speed	20M/min.
Stainless steel roller table	Capacity	20 cases/per min. depending on box size and operator efficiency.

## CHS-6601T SIDE BELT CARTON SEALER WITH T-RAIL SYSTEM

### CHS-6601T FEATURES

- Fast and easy box size changes
- Top & bottom flap folding sealer
- Industrial strength side belts
- Extended belts to pull the box through the top and bottom flap folders
- Top squeezers push top flaps together for accurate case sealing
- Dual mast for tape head stability
- Adjustable leg extensions
- Plug-in and go operation

### CHS-6601T TAPING SPECIFICATION

CHS-6601T FEATURES	CHS-6601T TAPING SPECIFICATION	
Fast and easy box size changes	Sealer Type	Side belt carton sealer
Top & bottom flap folding sealer	Power Supply	1 phase, 110V/220V, 50/60HZ
Industrial strength side belts	2" Tape Sealing Size	L150mm - Infinite, W150 - 500mm, H110 - 500mm
Extended belts to pull the box through the top and bottom flap folders	3" Tape Sealing Size	L150mm - Infinite, W135 - 500mm, H110 - 500mm
Top squeezers push top flaps together for accurate case sealing	Tape Overlap	L60±5 (mm) standard
Dual mast for tape head stability	Working Table Height	570-770mm
Adjustable leg extensions	Belt Speed	20M/min.
Plug-in and go operation	Capacity	20 cases/per min. depending on box size and operator efficiency.

