

→ CARTON FLAP FOLDING SEALER

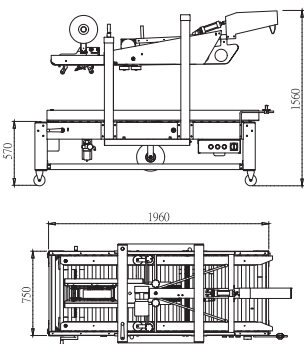
CHS-6605



CHS-6605A



CHS-6605



CHS-6605 SEMI-AUTOMATIC CARTON FOLDING SEALER

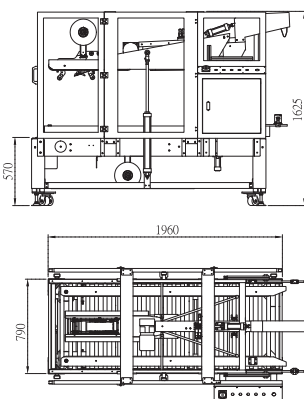
CHS-6605 SEMI FEATURES

- Fast and easy box size changes
- Automatically close all four case flaps
- Industrial strength top and side belts
- Dual mast for tape head stability
- Adjustable leg extensions
- Stainless steel roller table
- Reset button
- Emergency stop button
- Plug-in and go operation

CHS-6605 TAPING SPECIFICATION

- Sealer Type: Top and side belt carton sealer
- Power Supply: 1 phase, 110V/220V, 50/60HZ
- 2" Tape Sealing Size: L250mm - 500mm, W150 - 500mm, H120 - 500mm *Mini. H: 120mm (by request)
- 3" Tape Sealing Size: L250mm - 500mm, W150 - 500mm, H150 - 500mm *Mini. H: 120mm (by request)
- Tape Overlap: L60±5 (mm) standard
- Working Table Height: 570-770mm
- Belt Speed: 20M/min.
- Air Compressor: 6kg/cm2
- Capacity: 20 cases/per min. depending on box size and operator efficiency.

CHS-6605A



CHS-6605A RANDOM CARTON FOLDING SEALER

CHS-6605A RANDOM FEATURES

- Accommodates variety of box sizes
- Automatically close all four case flaps
- SMC brake cylinder
- Random / Uniform mode selection
- Industrial strength top and side belts
- Locking casters for transportation within plant
- Stainless steel roller table
- Reset button
- Emergency stop button

CHS-6605A RANDOM TAPING SPECIFICATION

- Sealer Type: Top and side belt carton sealer
- Power Supply: 1 phase, 110V/220V, 50/60HZ
- 2" Tape Sealing Size: L300mm - 500mm, W150 - 500mm, H150 - 500mm
- 3" Tape Sealing Size: L300mm - 500mm, W150 - 500mm, H150 - 500mm
- Tape Overlap: L60±5 (mm) standard
- Working Table Height: 570-770mm
- Belt Speed: 20M/min.
- Air Compressor: 6kg/cm2
- Tape Speed: 10 cases/per min. depending on box size

